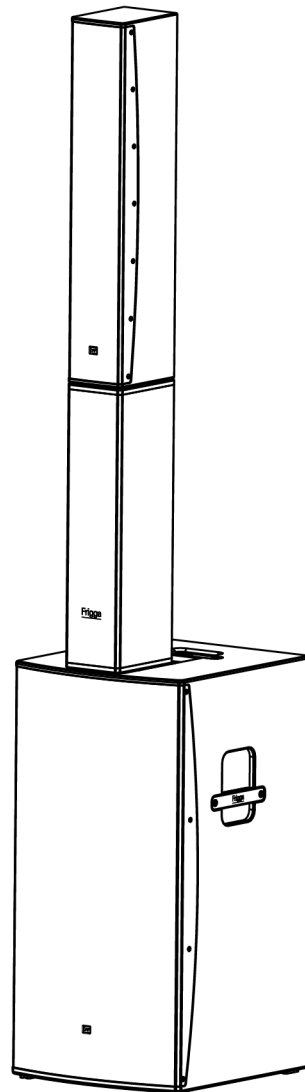


DAP

USER MANUAL

ENGLISH

V1.0



FRIGGA

Product code: D3880

Single active column PA system (Black)

Preface

Thank you for purchasing this DAP product.

The purpose of this user manual is to provide instructions for the correct and safe use of this product.

Keep the user manual for future reference as it is an integral part of the product. The user manual shall be stored at an easily accessible location.

This user manual contains information concerning:

- Safety instructions
- Intended and non-intended use of the device
- Installation and operation of the device
- Maintenance procedures
- Troubleshooting
- Transport, storage and disposal of the device

Non-observance of the instructions in this user manual may result in serious injuries and damage of property.

©2024 DAP. All rights reserved.

No part of this document may be copied, published or otherwise reproduced without the prior written consent of Highlite International.

Design and product specifications are subject to change without prior notice.

For the latest version of this document or other language versions, please visit our website www.highlite.com or contact us at service@highlite.com.

Highlite International and its authorized service providers are not liable for any injury, damage, direct or indirect loss, consequential or economic loss or any other loss arising from the use of, or inability to use or reliance on the information contained in this document.

Highlite International B.V. – Vestastraat 2 – 6468 EX Kerkrade – the Netherlands

Table of contents

1. Introduction	4
1.1. Before Using the Product	4
1.2. Intended Use	5
1.3. Product Lifespan	5
1.4. Text Conventions	5
1.5. Symbols and Signal Words	6
1.6. Symbols on the Information Label	6
2. Safety	7
2.1. Warnings and Safety Instructions	7
2.2. Requirements for the User	9
3. Description of the Device	10
3.1. Overview	10
3.2. Front View	11
3.3. Back View	12
3.4. Bottom View	13
3.5. Product Specifications	14
3.6. Dimensions	16
3.7. Dimensions of Stacks	17
3.8. Optional Accessories	17
4. Installation	18
4.1. Safety Instructions for Installation	18
4.2. Installation Site Requirements	18
4.3. Speaker Installation	19
4.3.1. Stacked Installation with Spacer	19
4.3.2. Stacked Installation without Spacer	20
4.4. Installation of Frigga Support Panel	20
5. Setup	21
5.1. Warnings and Precautions	21
5.2. Connecting the Column Speaker to the Subwoofer Speaker	21
5.2.1. With Stacked Installation	21
5.2.2. Without Stacked Installations	21
5.3. Connecting Multiple Devices	22
5.4. Setup with an Audio Mixer	23
5.5. Setup without an Audio Mixer	24
5.6. Setup with a Streaming Source Device	25
5.6.1. Mono Mode	25
5.6.2. TWS Mode	26
5.7. Connecting to Power Supply	27
5.8. Power Linking of Multiple Devices	27
6. Operation	28
6.1. Safety Instructions for Operation	28
6.2. Switching On/Off	28
6.3. Bluetooth Connection	28
6.3.1. Pairing with a Streaming Source Device	28
6.3.2. Linking to Another Device	29
6.4. Adjusting the Gain	29
6.5. LED Statuses	29
7. Troubleshooting	30
8. Maintenance	31
8.1. Safety Instructions for Maintenance	31
8.2. Preventive Maintenance	31
8.2.1. Basic Cleaning Instructions	31
8.3. Corrective Maintenance	31
9. Deinstallation, Transportation and Storage	32
10. Disposal	32

11. Approval..... 32

1. Introduction

1.1. Before Using the Product



Important
Read and follow the instructions in this user manual before installing, operating or servicing this product.

The manufacturer will not accept liability for any resulting damages caused by the non-observance of this manual.

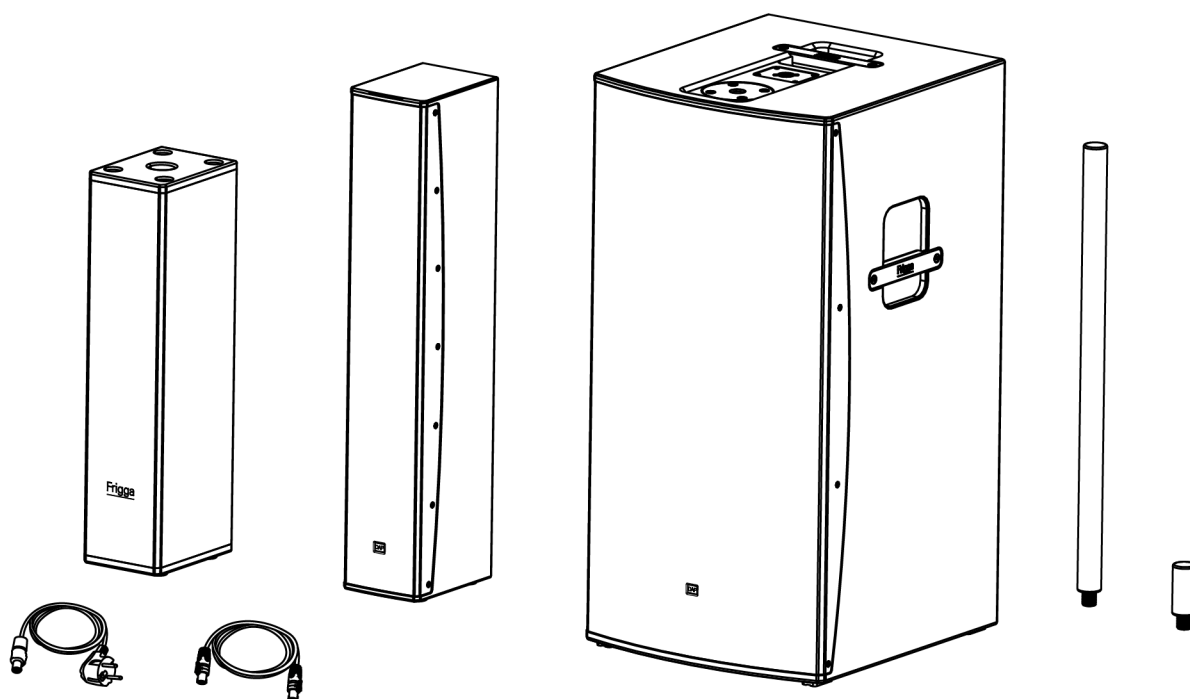
After unpacking, check the contents of the boxes. If any parts are missing or damaged, contact your Highlite International dealer.

Your shipment includes:

The DAP FRIGGA set:

- Subwoofer including amplifier module
- Column speaker
- Wooden spacer
- 2 x threaded pole mount (short and long)
- Power Pro Cable
- SpeakON cable
- User manual

Figure 1



Note:

The set consists of 3 main elements: the subwoofer, the column speaker and the wooden spacer. These are packed in 2 separate boxes:

- Box D3880A contains the subwoofer, the cables and the pole mounts
- Box D3880B contains the column speaker and the wooden spacer

1.2. Intended Use

This device is intended for professional use as a speaker system. It can be installed only indoors. This device is not suitable for households.

Any other use, not mentioned under intended use, is regarded as non-intended and incorrect use.

1.3. Product Lifespan

This device is not designed for permanent operation.

Disconnect the device from the electrical power supply when the device is not in operation. This will reduce the wear and will improve the lifespan of the device.

1.4. Text Conventions

Throughout the user manual the following text conventions are used:

- References: References to parts of the device are in bold lettering, for example: "turn the **adjustment handle (05)**". References to chapters are hyperlinked
- 0–255: Defines a range of values
- Notes: **Note:** (in bold lettering) is followed by useful information or tips

1.5. Symbols and Signal Words

Safety notes and warnings are indicated throughout the user manual by safety signs.

Always follow the instructions provided in this user manual.



DANGER

Indicates an imminently hazardous situation which, if not avoided, will result in death or serious injury.



WARNING

Indicates a potentially hazardous situation which, if not avoided, could result in death or serious injury.



CAUTION

Indicates a potentially hazardous situation, which, if not avoided, may result in minor or moderate injury.



Attention

Indicates important information for the correct operation and use of the product.



Important

Read and observe the instructions in this document.



Electrical hazard



Heavy object



Provides important information about the disposal of this product.

1.6. Symbols on the Information Label

This product is provided with an information label. The information label is located on the back side of the device.

The information label contains the following symbols:



This device is designed for indoor use.



This device shall not be treated as household waste.



This device falls under IEC protection class I.



Read and follow the instructions in the user manual before installing, operating or servicing the device.



Warning: Risk of electric shock. Do not open.

Warning: To reduce the risk of fire or electric shock do not expose this equipment to rain or moisture.

2. Safety



Important
Read and follow the instructions in this user manual before installing, operating or servicing this product.

The manufacturer will not accept liability for any resulting damages caused by the non-observance of this manual.

2.1. Warnings and Safety Instructions



DANGER
Danger for children

For adult use only. The device must be installed beyond the reach of children.

- Do not leave any parts of the packaging (plastic bags, polystyrene foam, nails, etc.) within the reach of children. Packaging material is a potential source of danger for children.



DANGER
Electric shock caused by dangerous voltage inside

There are areas inside the device where dangerous touch voltage may be present.

- Do not open the device or remove any covers.
- Do not operate the device if the covers or the housing are open. Before operation, check if the housing is firmly closed and all screws are tightly fastened.
- Disconnect the device from the electrical power supply before service and maintenance, and when the device is not in use.



DANGER
Electric shock caused by short-circuit

This device falls under IEC protection Class I.

- Make sure that the device is electrically connected to ground (earth). Connect the device only to a socket-outlet with a ground (earth) connection.
- Do not cover the ground (earth) connection.
- Do not bypass the thermostatic switch or fuses.
- Replace fuses only with the same type and rating.
- Do not let the power cable come into contact with other cables. Handle the power cable and all connections with the mains with caution.
- Do not modify, bend, mechanically strain, put pressure on, pull or heat up the power cable.
- Make sure that the power cable is not crimped or damaged. Examine the power cable periodically for any defects.
- Do not immerse the device in water or other liquids. Do not install the device in a location where flooding may occur.
- Do not use the device during thunderstorms. Disconnect the device from the electrical power supply immediately.

**WARNING**
Stability hazard

The device may fall if it is not mounted according to the instructions in this user manual, causing personal injury and material damage.

If stacked installation is used:

- Make sure that the device is placed on a flat and level surface.
- Do not place objects on the top of the device. These objects may fall and cause injury.
- Do not move the device to adjust the position of the device.

**Attention**
Power supply

- Before connecting the device to the power supply, make sure that the current, voltage and frequency match the input voltage, current and frequency specified on the information label on the device.
- Make sure that the cross-sectional area of the extension cords and power cables is sufficient for the required power consumption of the device.

**Attention**
Heavy object

This device is heavy. When handling, use a two-person lift.

**Attention**
General safety

- Do not shake the device. Avoid brute force when installing or operating the device.
- If the device is dropped or struck, disconnect the device from the electrical power supply immediately.
- If the device is exposed to extreme temperature variations (e.g. after transportation), do not switch it on immediately. Let the device reach room temperature before switching it on, otherwise it may be damaged by the formed condensation.
- If the device fails to work properly, discontinue use immediately.

**Attention**
For professional use only
This device must be used only for the purposes it is designed for.

This device is designed to be used as a speaker system. Any incorrect use may lead to hazardous situations and result in injuries and material damage.

- This device is not suitable for households.
- This device does not contain user-serviceable parts. Unauthorized modifications to the device will render the warranty void. Such modifications may result in injuries and material damage.

**Attention****Before each use, examine the device visually for any defects.**

Make sure that:

- There are no deformations on housings, fixings and installation points.
- The power cables are not damaged and do not show any material fatigue.

**Attention****Do not expose the device to conditions that exceed the rated IP class conditions.**

This device is IP20 rated. IP (Ingress Protection) 20 class provides protection against solid objects greater than 12 mm, such as fingers, and no protection against harmful ingress of water.

2.2. Requirements for the User

This product may be used by ordinary persons. Installation and maintenance may be carried out by ordinary persons. Service shall be carried out only by instructed or skilled persons. Contact your Highlite International dealer for more information.

Instructed persons have been instructed and trained by a skilled person, or are supervised by a skilled person, for specific tasks and work activities associated with the installation, service and maintenance of this product, so that they can identify risks and take precautions to avoid them.

Skilled persons have training or experience, which enables them to recognize risks and avoid hazards associated with the installation, service and maintenance of this product.

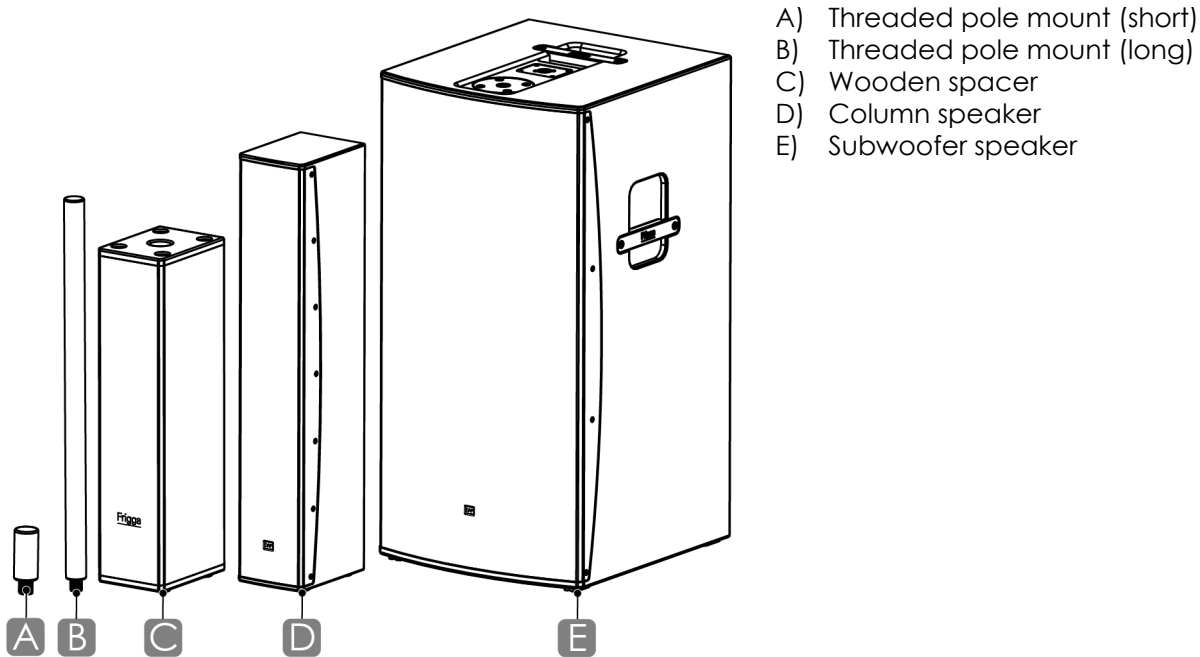
Ordinary persons are all persons other than instructed persons and skilled persons. Ordinary persons include not only users of the product but also any other persons that may have access to the device or who may be in the vicinity of the device.

3. Description of the Device

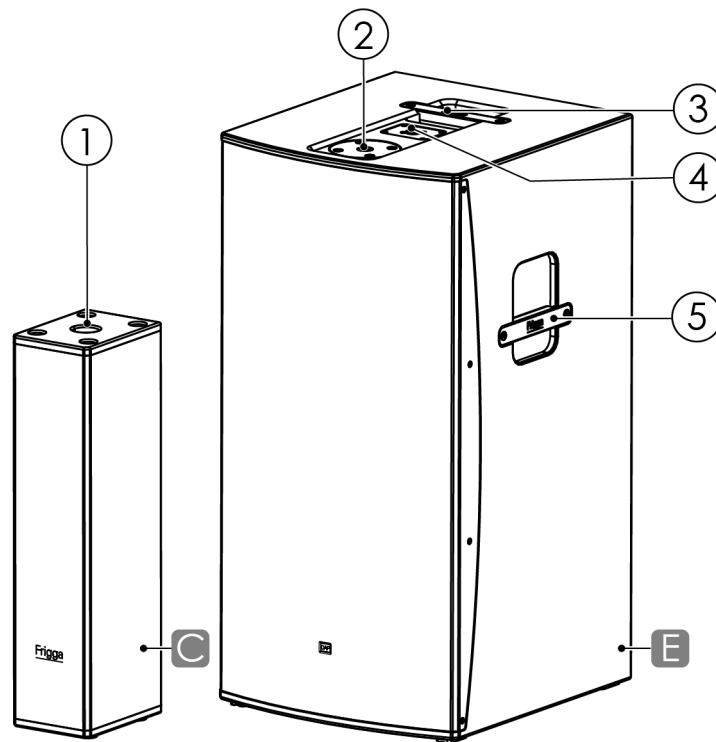
The DAP FRIGGA is an active PA speaker system with a subwoofer and column speaker. It offers three inputs: XLR microphone input with gain and clip indicator, XLR line input with passthrough, and Bluetooth with TWS support. The mixed output combines all signals. The SUB Level control adjusts the subwoofer volume relative to the column volume. The Master Level adjusts the total system volume. Status LEDs indicate the amplifier status. The set features an active dual 12" subwoofer with a built-in amplifier for the column speaker. The column speaker includes six 4" neodymium midrange drivers and a 1,8" ferrite compression driver. The built-in amplifier delivers 1000 W RMS (2000 W peak) across three channels. Two mounting poles adjust the height for various setups. The set is available in black or white.

3.1. Overview

Figure 2



3.2. Front View

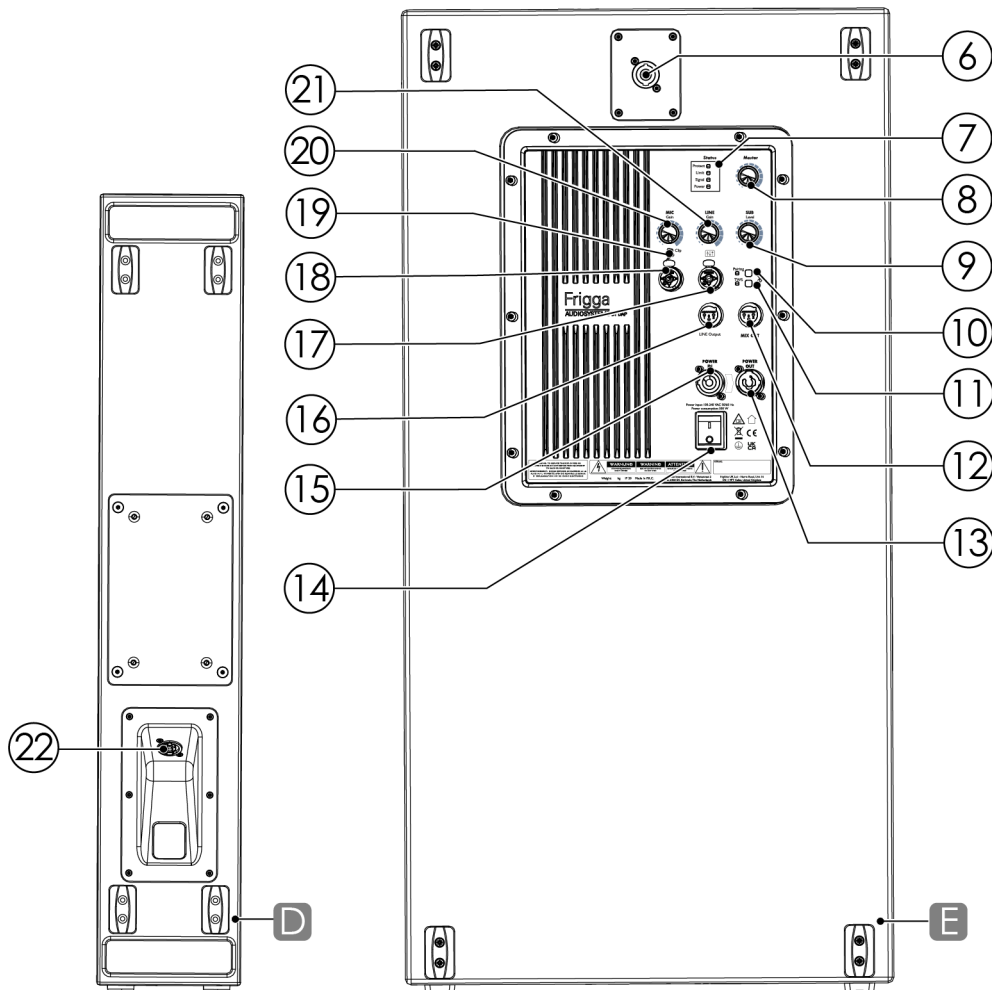
Figure 3

- 01) Opening for mounting pole (wooden spacer)
- 02) Threaded mounting opening
- 03) Top carrying handle

- 04) Speaker output to column
- 05) 2 carrying handles

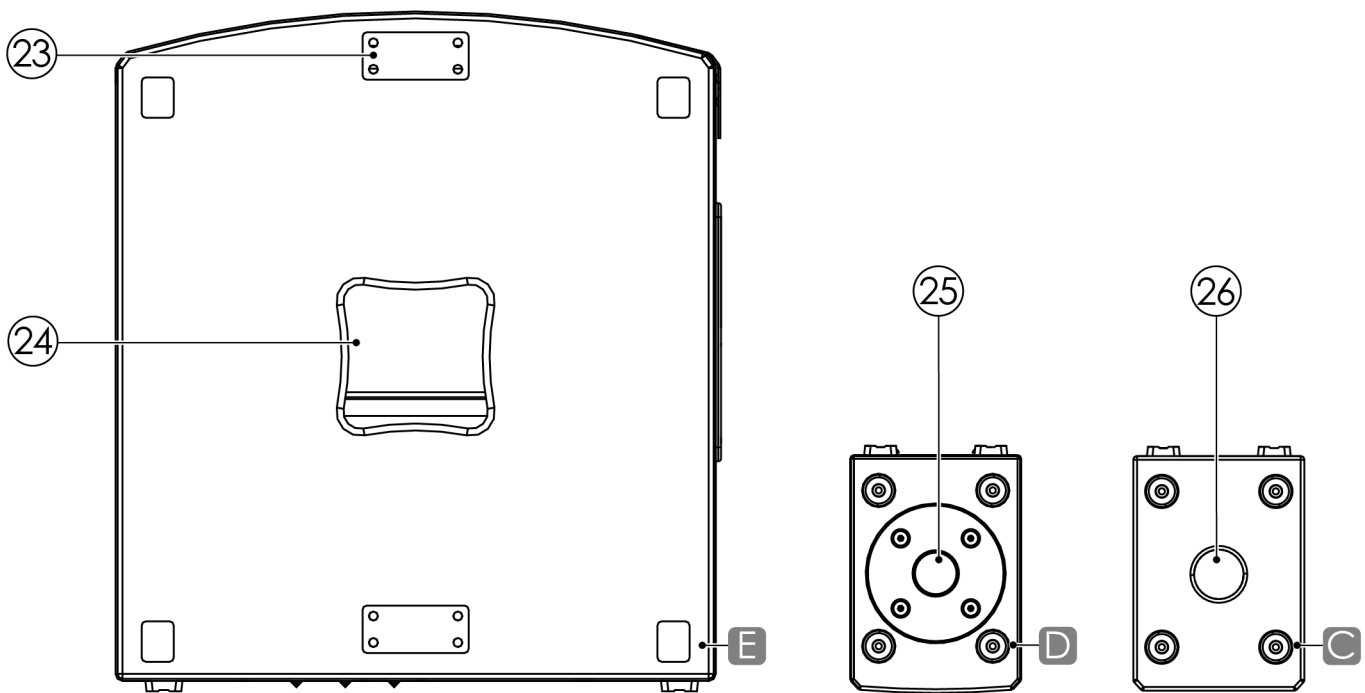
3.3. Back View

Figure 4



- | | |
|---|--|
| 06) Speaker output to column | 15) Power Pro connector IN (blue) |
| 07) Status LED indicators | 16) 3-pin XLR male connector Line OUT |
| 08) Master level control | 17) Combined (3-pin XLR/6,3 mm jack) line-level connector IN |
| 09) SUB level control | 18) Combined (3-pin XLR/6,3 mm jack) microphone connector IN |
| 10) Bluetooth pairing button (with LED indicator) | 19) Clip LED indicator |
| 11) Bluetooth TWS button (with LED indicator) | 20) Microphone gain control |
| 12) 3-pin XLR male connector Mix OUT | 21) Line-level gain control |
| 13) Power Pro connector OUT (gray) | 22) Column speaker connection |
| 14) Power switch (On/Off) | |

3.4. Bottom View

Figure 5

23) 2 openings for butterfly latches
24) Carrying handle

25) Opening for mounting pole (column speaker)
26) Opening for mounting pole (wooden spacer)

3.5. Product Specifications

Model:	FRIGGA
Inputs:	
Mono inputs	2
Mono input connector	3-pin XLR
Outputs:	
Power amplifier RMS output	1000 W
Power amplifier peak output	2000 W
Top cabinet high driver power	250 W
Top cabinet low driver power	250 W
Subwoofer power	500 W
Passive output connector	Speaker Connector 4 pole
Main outputs	1
Main output connector	3-pin XLR
Audio Specifications:	
THD level	< 0,3 %
Signal-to-noise ratio	> 105 dB
AD/DA converter sample rate	48 kHz
Amp technology	Class D /Class H
Speaker system	Active Subwoofer/ Active Bi-amp 2-way
Speaker sensitivity (1 W/1 m)	96 dB
Max. SPL subwoofer at 1 m	132 dB
Max. SPL top cabinet at 1 m	134 dB
DSP processor bitrate	24-bit
Frequency response minimum	40 Hz
Frequency response maximum	20000 Hz
Woofer diameter	12 "
Woofer voice coil diameter	2,5 "
Woofer magnet type	Ferrite
Satellite woofer diameter	4 "
Satellite woofer voice coil diameter	1 "
Satellite woofer magnet type	Neodymium
Compression driver diameter	1 "
Compression driver voice coil	1,8 "
Compression driver magnet type	Ferrite
Subwoofer dispersion angle (horizontal)	360°
Subwoofer dispersion angle (vertical)	180°
Satellite dispersion angle (horizontal)	110°
Satellite dispersion angle (vertical)	30°
Electrical Specifications and Connections:	
Power supply	100–240 V AC 50/60 Hz
Power consumption	1100 W
Power connector IN	Power Pro Blue
Power connector OUT	Power Pro Gray

Mechanical Specifications:

Top cabinet height	765 mm
Top cabinet width	135 mm
Top cabinet depth	200 mm
Subwoofer height	865 mm
Subwoofer width	430 mm
Subwoofer depth	485 mm
Material	Plywood
Top cabinet weight	8 kg
Subwoofer weight	25 kg
Color	Black

Thermal Specifications:

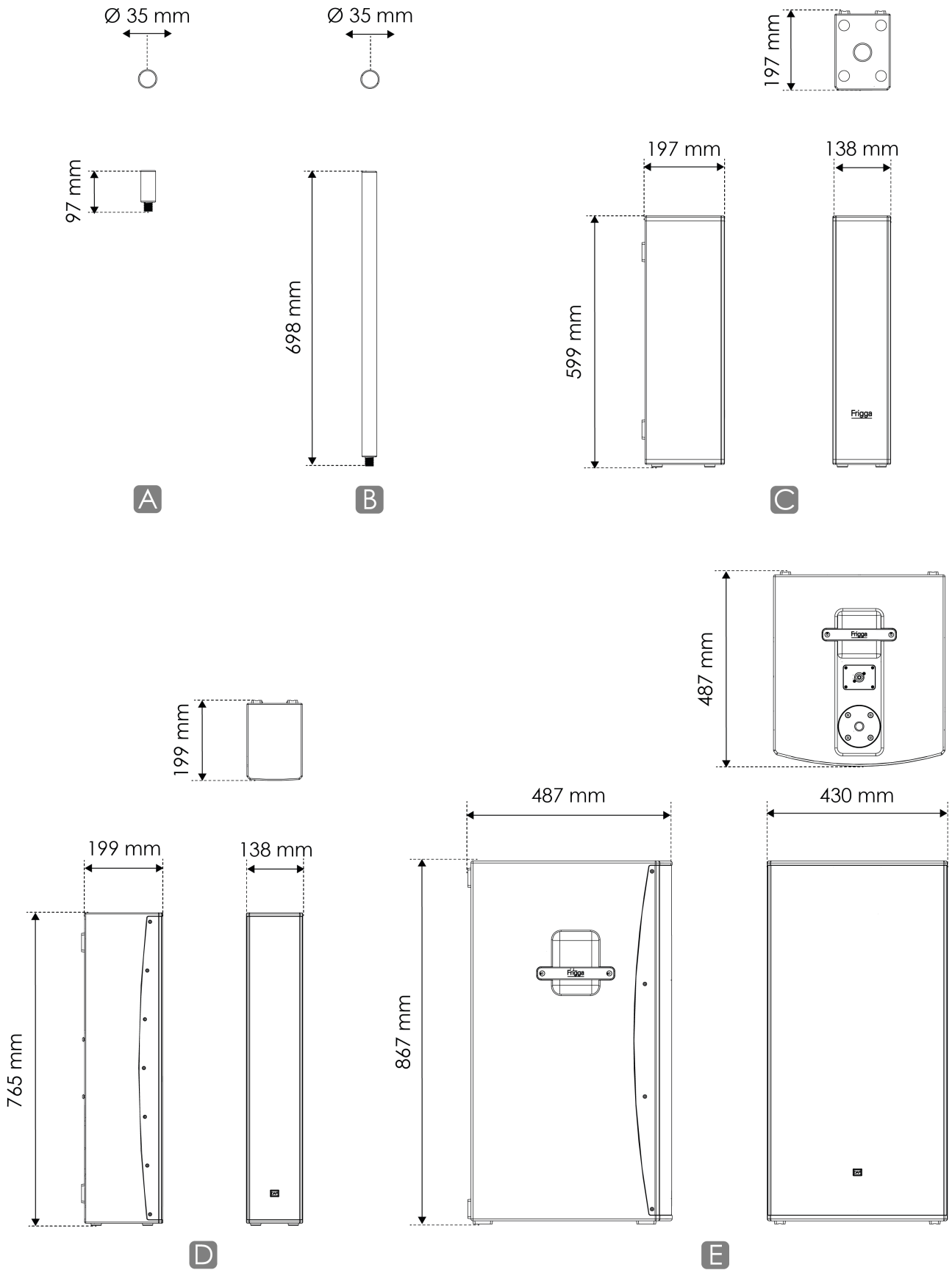
Maximum ambient temperature	40 °C
Minimum operating temperature	-20 °C

Included Items:

Included cables	Power Pro Cable / Speaker cable
-----------------	---------------------------------

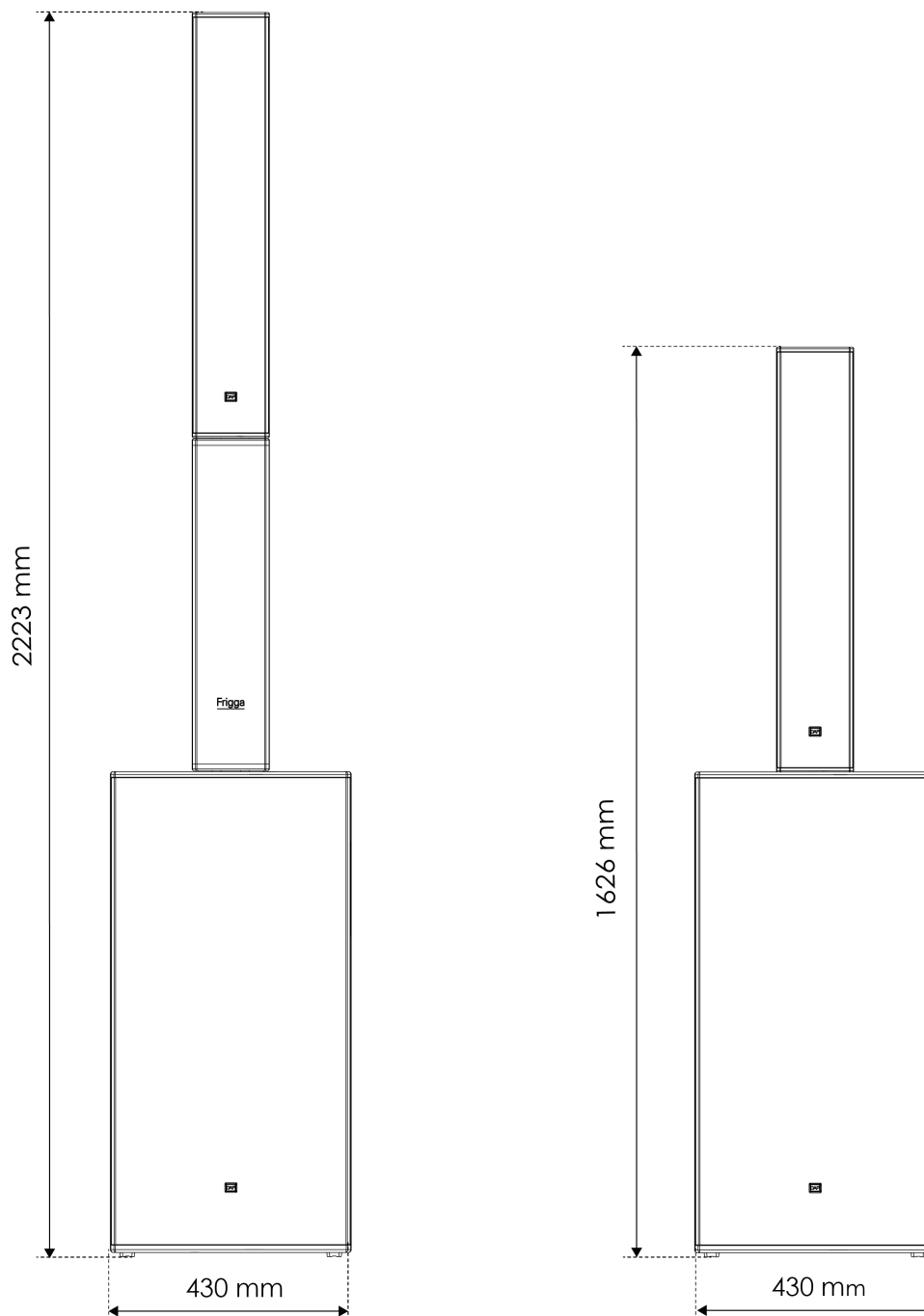
3.6. Dimensions

Figure 6



3.7. Dimensions of Stacks

Figure 7



3.8. Optional Accessories

You can additionally purchase the following accessories:

- [D3877](#) FRIGGA support panel
- [D3878](#) Transport Cover for Frigga Sub
- [D3879](#) Carrying Bag for Frigga Tops for two pcs columns

Contact your Highlite International dealer for more information.

4. Installation

4.1. Safety Instructions for Installation



WARNING
Stability hazard

The device may fall if it is not mounted according to the instructions in this user manual, causing personal injury and material damage.

If stacked installation is used:

- Make sure that the device is placed on a flat and level surface.
- Do not place objects on the top of the device. These objects may fall and cause injury.
- Do not move the device to adjust the position of the device.



Attention
Heavy object

The subwoofer is heavy. When handling, use a two-person lift.

4.2. Installation Site Requirements

- The device can be used only indoors.
- The ambient temperature must be in the range -20 and 40 °C.
- The relative humidity must not exceed 50 % with an ambient temperature of 40 °C.

4.3. Speaker Installation

The FRIGGA can be placed as a stacked set or the subwoofer speaker (E) and column speaker (D) can be placed separately. The subwoofer speaker (E) has 2 **speaker connections (04 & 06)**. Use one of these connections (see [5.2. Connecting the Column Speaker to the Subwoofer Speaker](#) on page 21) depending on the installation method.

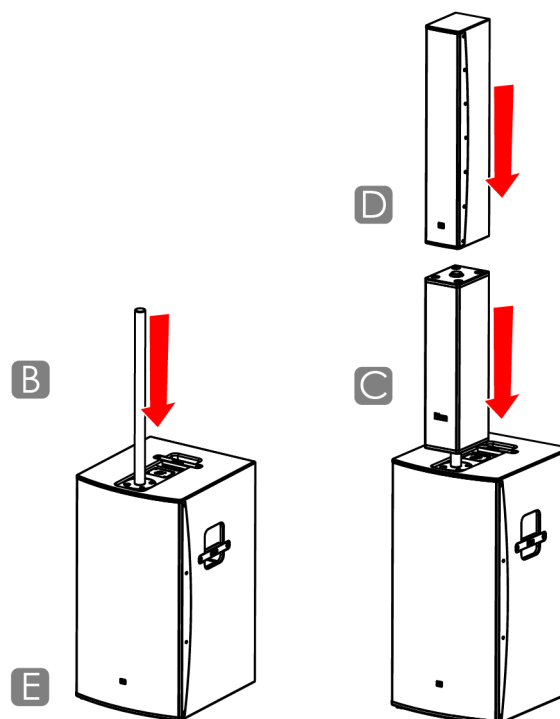
Note:

The FRIGGA is tall and narrow and can be unstable when used as a stacked set. It is recommended to use the Frigga support panel when using as a stacked set (see [3.8. Optional Accessories](#) on page 17).

4.3.1. Stacked Installation with Spacer

The column speaker (D) can be stacked on top of the subwoofer speaker (E). The wooden spacer (C) can be added to adjust the height of the setup.

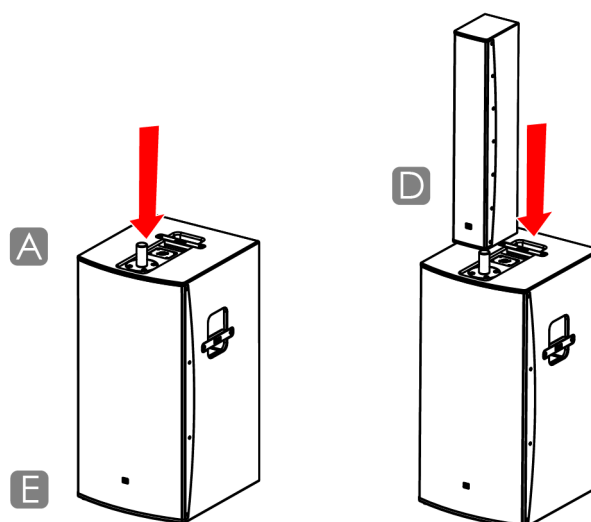
- 01) Insert the threaded end of the long mounting pole (B) into the **threaded mounting opening (02)** of the subwoofer speaker (E).
- 02) Turn the long mounting pole (B) clockwise to attach it, without overtightening it.
- 03) Slide the wooden spacer (C) over the long mounting pole (B).
- 04) Slide the column speaker (D) over the long mounting pole (B).



4.3.2. Stacked Installation without Spacer

- 01) Insert the threaded end of the short mounting pole (A) into the **threaded mounting opening (02)** of the subwoofer speaker (E).
- 02) Turn the short mounting pole (A) clockwise to attach it securely.
- 03) Slide the column speaker (D) over the short mounting pole (A).

Figure 9

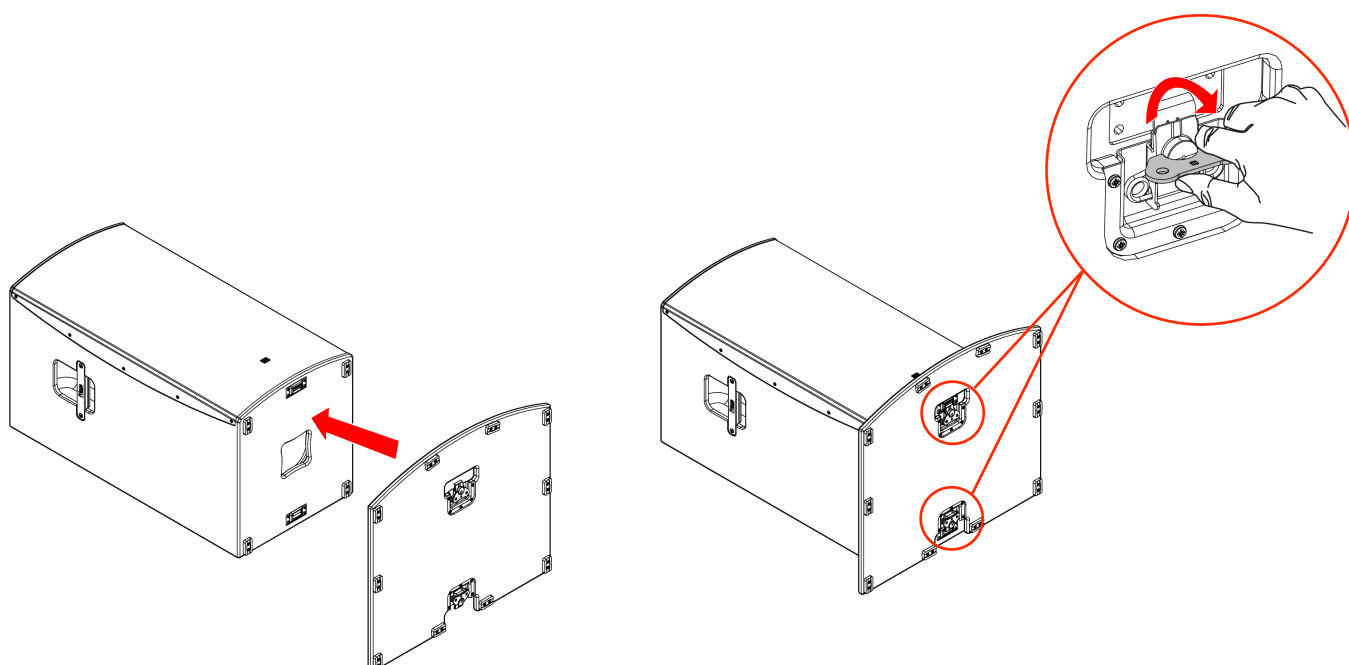


4.4. Installation of Frigga Support Panel

The Frigga Support Panel (see [3.8. Optional Accessories](#) on page 17) is not included with the FRIGGA set, but it is necessary for stability of the stacked installations. To install the Frigga support panel, follow the steps below:

- 01) Place the subwoofer speaker (E) on its back.
- 02) Line up the butterfly latches on the Frigga Support Panel with the **2 openings for butterfly latches (23)** on the subwoofer speaker (E).
- 03) Lift up the butterfly latches and turn them 180° clockwise to secure the Frigga Support Panel.
- 04) Close the butterfly latches.

Figure 10



5. Setup

5.1. Warnings and Precautions



Attention

Make sure that all inputs and outputs are connected before turning the power on.
Turn the power off before disconnecting inputs or outputs.

5.2. Connecting the Column Speaker to the Subwoofer Speaker



Attention

- Do not connect other speaker systems to the device, as they may get damaged. The FRIGGA set is not compatible with other speaker systems.
- Do not connect more than one column speaker to one subwoofer speaker. If you connect more than one column speaker, the built-in amp safety will shut down the amp.

There are 2 ways to connect the column speaker (D) to the subwoofer speaker (E), depending on the installation method.

5.2.1. With Stacked Installation

Stacked installation (see [4.3. Speaker Installation](#) on page 19) allows you to hide the cable more effectively.

- 01) Use a 4-pin speakON cable to connect the **column speaker connection (22)** to the **speaker output to column (04)** on top of the subwoofer speaker (E).
- 02) Insert the cable into the vertical opening on the backside of the wooden spacer (C) to hide the cable.

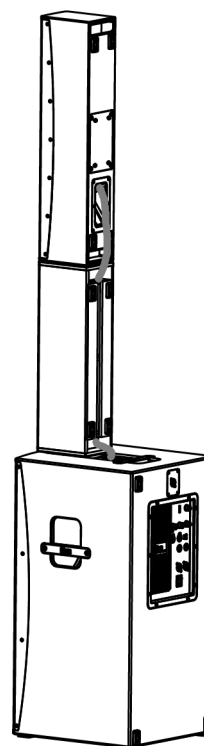


Figure 11

5.2.2. Without Stacked Installations

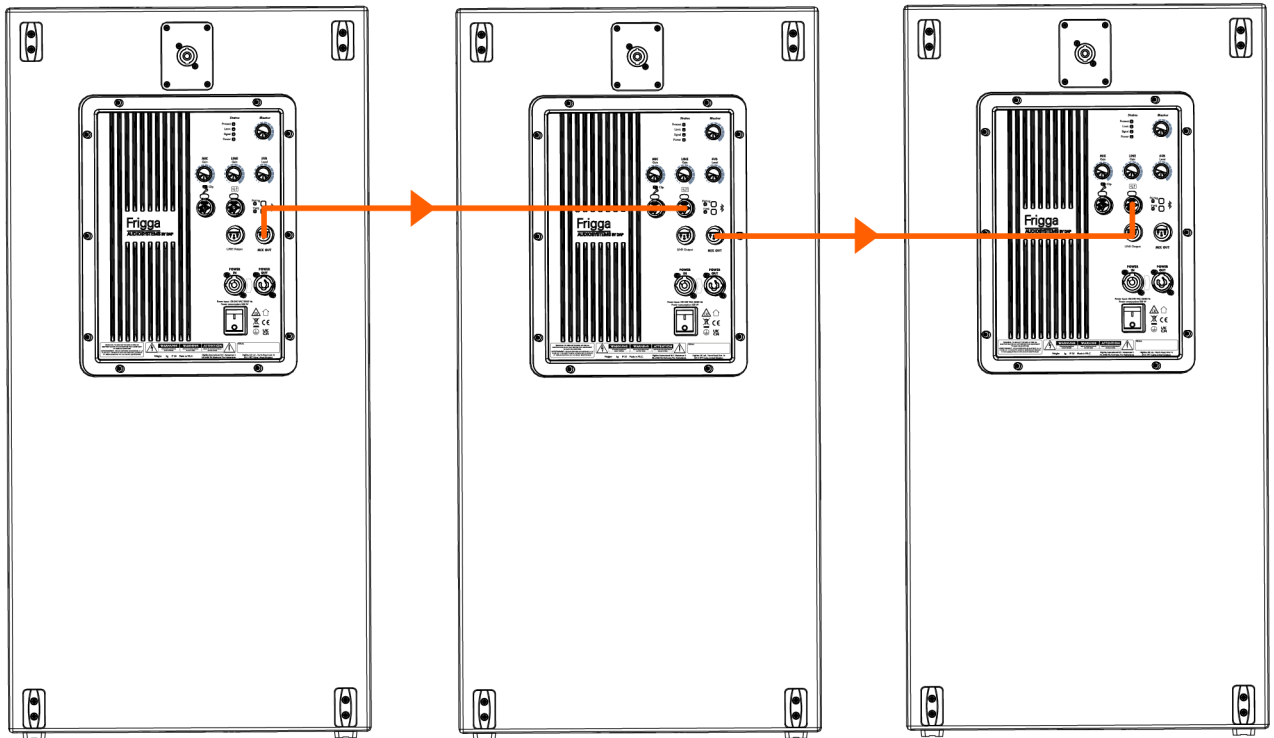
If the installation does not require stacking, use a 4-pin speakON cable to connect the **column speaker connection (22)** to the **speaker output to column (06)** on the back of the subwoofer speaker (E).

5.3. Connecting Multiple Devices

You can connect 2 or more FRIGGA sets in a daisy-chain.

- 01) Use a 3-pin XLR cable to connect the **3-pin XLR male connector Mix OUT (12)** of the 1st subwoofer speaker (E) to the **combined line-level connector IN (17)** of the 2nd subwoofer speaker (E).
- 02) Repeat step 1 to connect more speaker sets in one setup.

Figure 12

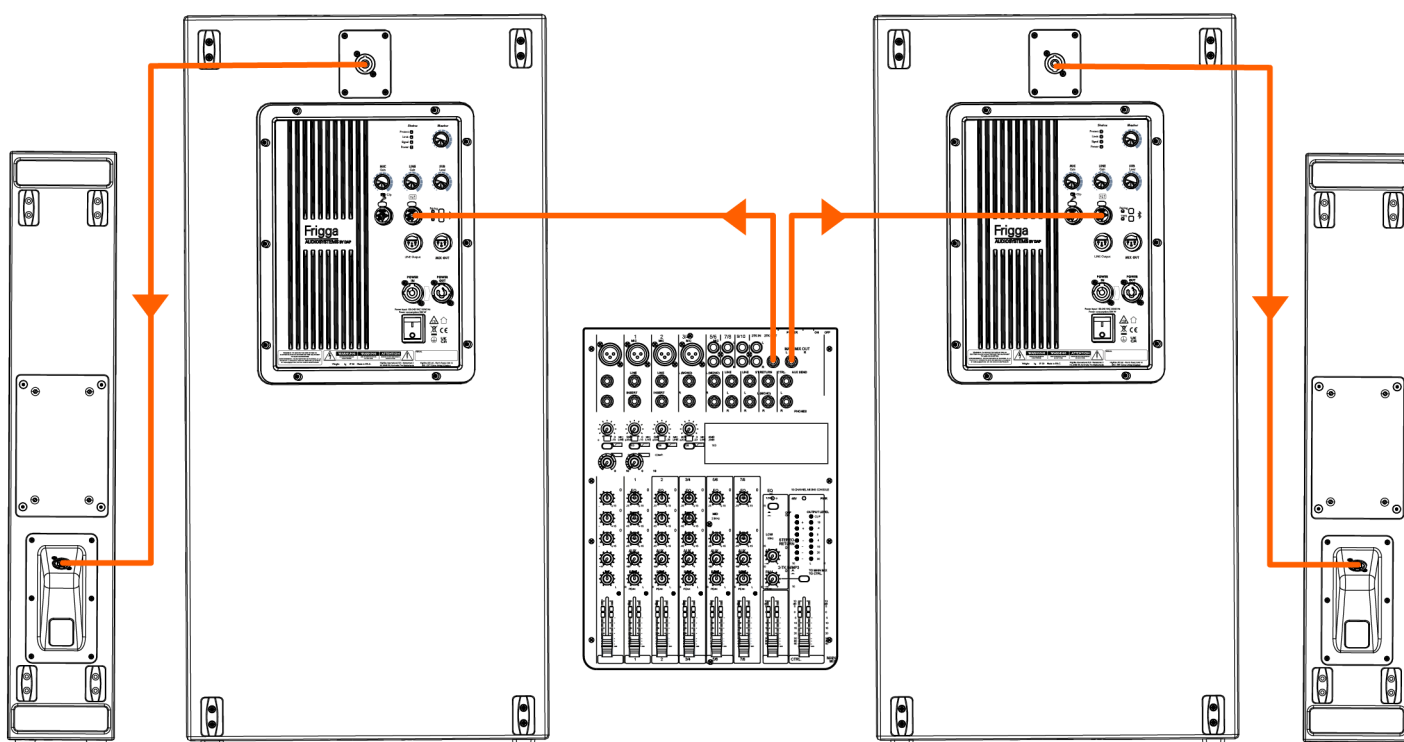


5.4. Setup with an Audio Mixer

You can use the FRIGGA in a setup with an audio mixer.

To complete the setup, follow the steps below:

- 01) Make sure that all devices are switched off.
- 02) Connect the subwoofer speaker(s) (E) to the column speaker(s) (D) (see [5.2. Connecting the Column Speaker to the Subwoofer Speaker](#) on page 21).
- 03) Connect the subwoofer speaker(s) (E) to the power supply (see [5.7. Connecting to Power Supply](#) on page 27).
- 04) Connect the rest of the devices to the power supply.
- 05) Connect the subwoofer speaker(s) (E) to the audio mixer.
- 06) Switch on the audio mixer.
- 07) Switch on the subwoofer speaker(s) (E) (see [6.2. Switching On/Off](#) on page 28).
- 08) Adjust the gain controls on the subwoofer speaker(s) (E) (see [6.4. Adjusting the Gain](#) on page 29).



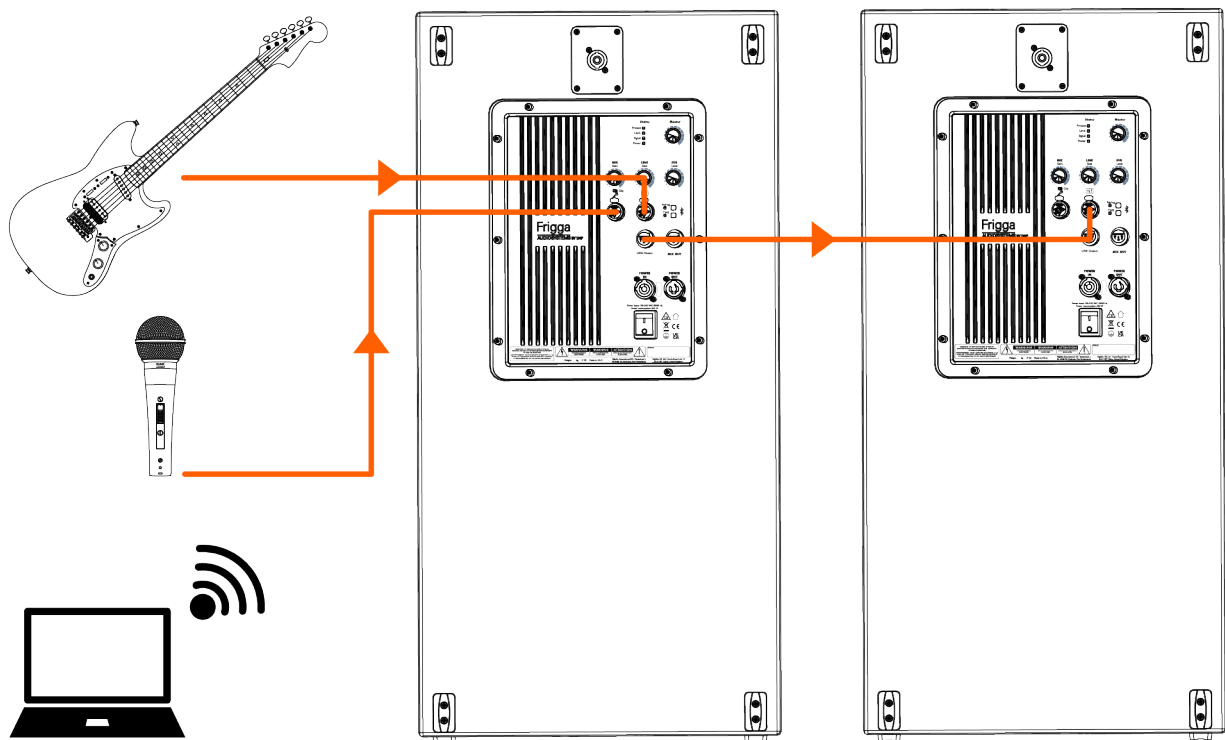
5.5. Setup without an Audio Mixer

You can use the FRIGGA in a setup without an audio mixer and connect it to a 2nd subwoofer speaker (E). In this setup the device functions as a mixer, combining all input signals.

You can connect a microphone and a musical instrument, as well as stream a signal via the Bluetooth and output all signals together.

To complete the setup, follow the steps below:

- 01) Make sure that all devices are switched off.
- 02) Connect a microphone to the **combined microphone connector IN (18)** as necessary.
- 03) Connect a musical instrument to the **combined line-level connector IN (17)** as necessary.
- 04) Connect a streaming source device via the Bluetooth as necessary (see [6.3. Bluetooth Connection](#) on page 28).
- 05) Connect a 2nd subwoofer speaker (E) (see [5.3. Connecting Multiple Devices](#) on page 22).
- 06) Connect the subwoofer speakers (E) to the power supply (see [5.7. Connecting to Power Supply](#) on page 27).
- 07) Connect the rest of the devices to the power supply as necessary.
- 08) Switch on the subwoofer speakers (E) (see [6.2. Switching On/Off](#) on page 28).
- 09) Switch on the rest of the devices as necessary.
- 10) Adjust the gain controls of the external devices as necessary.
- 11) Adjust the gain controls on the subwoofer speakers (E) (see [6.4. Adjusting the Gain](#) on page 29).



5.6. Setup with a Streaming Source Device

The FRIGGA has an integrated Bluetooth receiver with TWS (True Wireless Stereo). You can pair the FRIGGA with a personal computer or a smartphone with Bluetooth (a streaming source device) to stream sound.

There are 2 setups via Bluetooth possible:

- Mono mode setup (see [5.6.1. Mono Mode](#))
- TWS (True Wireless Stereo) mode setup (see [5.6.2. TWS Mode](#))

Note:

Make sure that there is clear line of sight between 2 Bluetooth devices.

The average effective range between Bluetooth devices is 10–30 m. The effective range depends on the receiver sensitivity, the transmit power, the antenna gain and the path loss. Path loss occurs over distance and is impacted by the environment in which the signal is being transmitted. Sources of interference between the transmitter and the receiver deteriorate the signal.

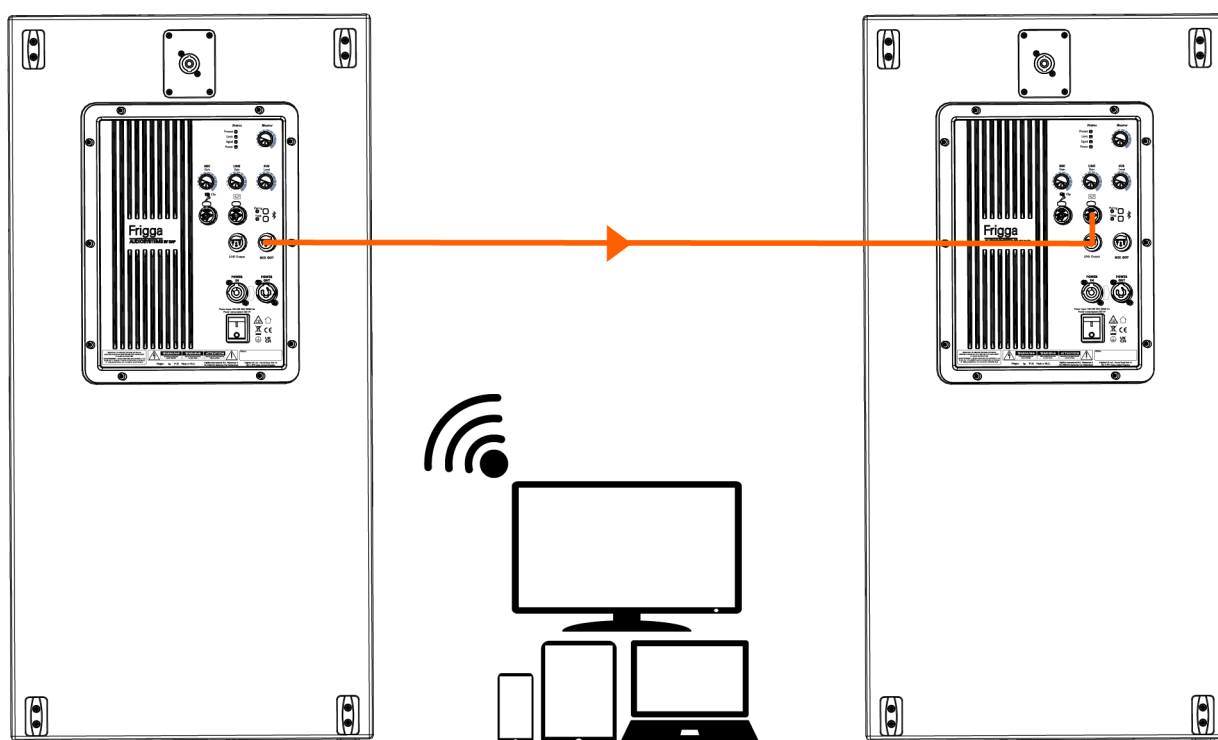
5.6.1. Mono Mode

In mono mode 1 subwoofer speaker (E) is paired with the streaming source device. The subwoofer speaker (E) outputs only the left channel (mono signal). You can connect more subwoofer speakers (E) to the 1st subwoofer speaker (E) in a daisy-chain.

To complete the mono mode setup, follow the steps bellow:

- 01) Connect 2 or more speakers in a daisy-chain as necessary. This step is optional. You can complete the setup in mono mode without connecting other speakers.
- 02) Connect the subwoofer speaker(s) (E) to the power supply (see [5.7. Connecting to Power Supply](#) on page 27).
- 03) Switch on the subwoofer speaker(s) (E) (see [6.2. Switching On/Off](#) on page 28).
- 04) Pair the 1st subwoofer speaker (E) with the streaming source device (see [6.3. Bluetooth Connection](#) on page 28).
- 05) Adjust the gain controls of the subwoofer speaker(s) (E) (see [6.4. Adjusting the Gain](#) on page 29).

Figure 13



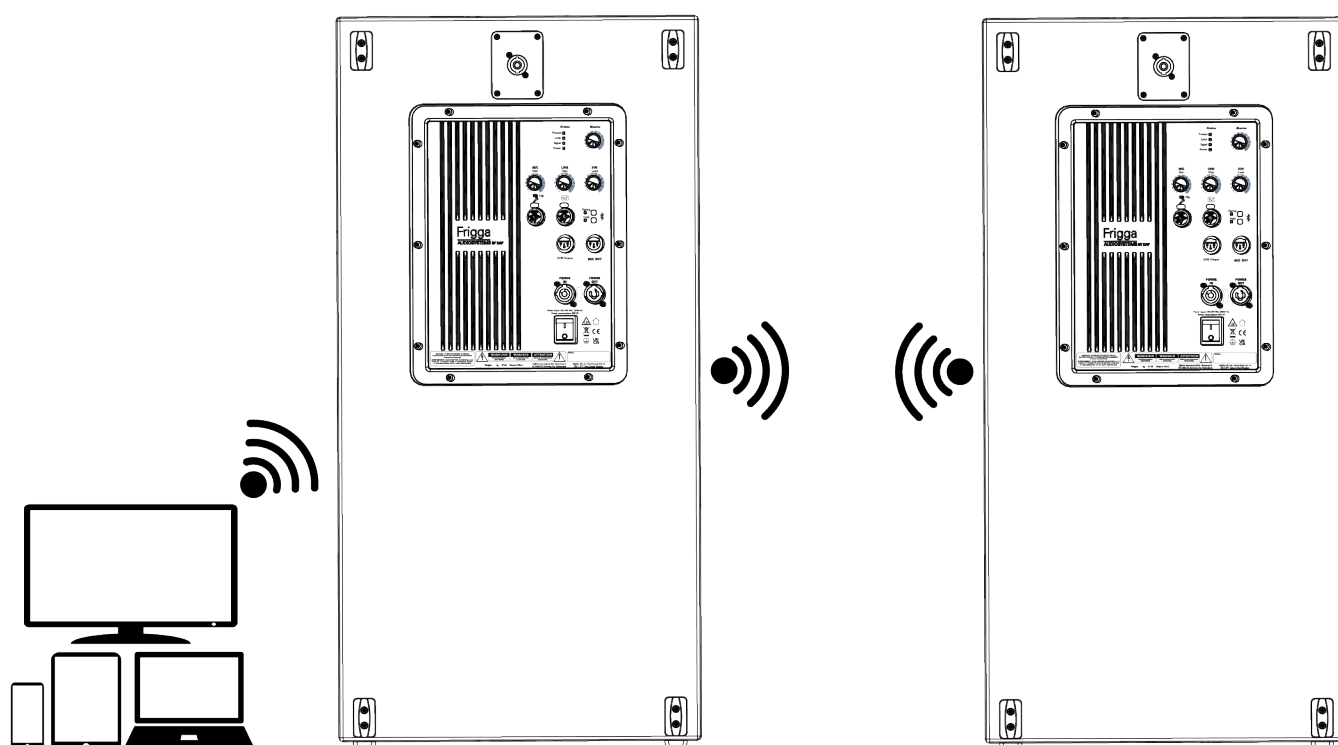
5.6.2. TWS Mode

In TWS (True Wireless Stereo) mode 1 subwoofer speaker (E) is paired with the streaming source device and a 2nd subwoofer speaker (E) is linked to the 1st subwoofer speaker (E). The 1st subwoofer speaker (E), connected to the streaming source device, outputs the left channel of the stereo signal and the 2nd subwoofer speaker (E) outputs the right channel of the stereo signal.

To complete the TWS mode setup, follow the steps below:

- 01) Connect the 2 subwoofer speakers (E) to the power supply (see [5.7. Connecting to Power Supply](#) on page 27).
- 02) Switch on the 2 subwoofer speakers (E). (see [6.2. Switching On/Off](#) on page 28)
- 03) Pair the 1st subwoofer speaker (E) with the streaming source device (see [6.3.1. Pairing with a Streaming Source Device](#) on page 28).
- 04) Link the 2nd subwoofer speaker (E) to the 1st subwoofer speaker (see [6.3.2. Linking to Another Device](#) on page 29).
- 05) Adjust the gain controls on the 2 speakers (see [6.3.2. Linking to Another Device](#) on page 29).

Figure 14



Note:

Microphone and line signals are not transmitted via Bluetooth when using TWS.

5.7. Connecting to Power Supply



DANGER
Electric shock caused by short-circuit

The device accepts AC mains power at 100–240 V and 50/60 Hz. Do not supply power at any other voltage or frequency to the device.

This device falls under IEC protection class I. Make sure that the device is always electrically connected to the ground (earth).

Before connecting the device to the socket-outlet:

- Make sure that the power supply matches the input voltage specified on the information label on the device.
- Make sure that the socket-outlet has ground (earth) connection.

Connect the device to the socket-outlet with the power plug. Do not connect the device to a dimmer circuit, as this may damage the device.

5.8. Power Linking of Multiple Devices

This device supports power linking. Power can be relayed to another device via the power OUT connector. Note that the input and the output connectors have different designs: one type cannot be connected to the other.

Power linking of multiple devices must be carried out only by instructed or skilled persons.



WARNING
Incorrect power linking may lead to overload of the electrical circuit and result in serious injuries and damage of property.

To prevent overload of the electrical circuit, when power linking multiple devices:

- Use cables with sufficient current-carrying capacity. The power cable supplied with the device is not suitable for power linking of multiple devices.
- Make sure that the total current draw of the device and all connected devices does not exceed the rated capacity of the power cables and the circuit breaker.
- Do not link more devices on one power link than the maximum recommended number.

Maximum recommended number of devices:

- at 100–120 V: 2 devices FRIGGA
- at 200–240 V: 2 devices FRIGGA

6. Operation

6.1. Safety Instructions for Operation

**Attention**

This device must be used only for the purposes it is designed for.

This device is intended for professional use as a speaker system. It can be used only indoors. This device is not suitable for households.

Any other use, not mentioned under intended use, is regarded as non-intended and incorrect use.

**Attention****Power supply**

Before connecting the device to the power supply, make sure that the current, voltage and frequency match the input voltage, current and frequency specified on the information label on the device.

6.2. Switching On/Off

The device has a power switch.

- To switch the device on, press the **power switch (14)** in ON position.
- To switch the device off, press the **power switch (14)** in OFF position.

6.3. Bluetooth Connection

The FRIGGA has an integrated Bluetooth receiver with TWS (True Wireless Stereo). You can pair the FRIGGA with a personal computer or a smartphone with Bluetooth (a streaming source device) to stream sound. You can also link 2 FRIGGA devices to use them in TWS mode. Refer to the setup instructions for streaming devices (see [5.6. Setup with a Streaming Source Device](#) on page 25).

6.3.1. Pairing with a Streaming Source Device

You can pair the FRIGGA with a streaming source device via Bluetooth.

To pair the devices, follow the steps below:

- 01) Press and hold down the **Bluetooth pairing button (10)** until the LED indicator of the **Bluetooth pairing button (10)** starts flashing.
- 02) Switch on the Bluetooth functionality on the streaming source device and scan for available Bluetooth devices.
- 03) Select the FRIGGA from the list of available Bluetooth devices and pair the devices. When pairing is completed and the devices are connected the LED indicator of the **Bluetooth pairing button (10)** turns on.

To terminate the connection with a streaming source device via Bluetooth, press and hold down the **Bluetooth pairing button (10)** until the LED indicator of the **Bluetooth pairing button (10)** starts flashing. When the connection is terminated, the LED indicator of the **Bluetooth pairing button (10)** turns off.

Note:

If you switch the device off and on again, the device automatically reconnects to the last connected Bluetooth source device. If you want to pair the device to a different streaming source device, you need to terminate the current Bluetooth connection.

6.3.2. Linking to Another Device

You can link 2 FRIGGA devices via Bluetooth to stream sound in TWS (True Wireless Stereo) mode.

Press and hold down the **Bluetooth stereo button (11)** until the LED indicator of the **Bluetooth stereo button (11)** starts flashing to link the devices. When linking is completed and the devices are connected, the LED indicator of the **Bluetooth stereo button (11)** turns on.

To unlink a device, press and hold down the **Bluetooth stereo button (11)** until the LED indicator of the **Bluetooth stereo button (11)** turns off.

Notes:

- If you switch the device off and on again, the device automatically reconnects to the last linked device. If you want to link the device to a different device, you need to terminate the current Bluetooth connection.
- If you unlink a device in TWS mode, the device connected to the streaming source device continues the streaming in mono mode.

6.4. Adjusting the Gain


The device has 2 gain controls for each input, 1 subwoofer level control and 1 master gain control for overall balance.

Turn the controls to the left/right to respectively increase/decrease the output volume per input channel for the connected signal sources.

- Use the **microphone gain control (20)** to adjust the microphone volume.
- Use the **line-level gain control (21)** to adjust the line signal volume.
- Use the **SUB level control (09)** to adjust the level of the subwoofer speaker (E).
- Use the **master level control (08)** to adjust the overall sound balance.

6.5. LED Statuses

The device has 4 **status LED indicators (07)** and a **clip LED indicator (19)**. The LED indicators have the following statuses.

Status	
Protect <input type="checkbox"/>	Protect: Illuminates when the amp is overloaded. This can happen when the input signal is too high or when the ambient temperature is too high. Decrease the volume of the connected device
Limit <input type="checkbox"/>	Limit: Illuminates prior to the amp clipping and distorting. Adjust the input levels so that this LED indicator illuminates only briefly during the highest peaks. If you operate the device with this indicator continuously on, this will result in degraded sound quality and could damage or reduce the service life of the components
Signal <input type="checkbox"/>	Signal: Illuminates when signal is present
Power <input type="checkbox"/>	Power: Illuminates when the device is powered on
 Clip <input type="checkbox"/>	Clip: Illuminates when the input signal from the connected microphone is too high. Adjust the microphone gain

7. Troubleshooting

This troubleshooting guide contains solutions to problems which can be carried out by an ordinary person. The device does not contain user-serviceable parts.

Unauthorized modifications to the device will render the warranty void. Such modifications may result in injuries and material damage.

Refer servicing to instructed or skilled persons. Contact your Highlite International dealer in case the solution is not described in the table.

Problem	Probable cause(s)	Solution
The device does not function at all	No power to the device	<ul style="list-style-type: none"> Make sure that the device is connected to the power supply and switched on
No sound	Devices are not paired	<ul style="list-style-type: none"> Make sure that the device is paired with any external device
	Bad connections	<ul style="list-style-type: none"> Make sure that the connections between the device and the external devices are correct and not defective
The device does not stream sound	There is no connection to the streaming source device	<ul style="list-style-type: none"> Make sure that the Bluetooth functionality on the streaming device is turned on and the devices are paired
	The device is still paired to a different streaming source device	<ul style="list-style-type: none"> Terminate the previous connection and pair the device with the current streaming source device (see 6.3. Bluetooth Connection on page 28).
	The streaming source device is out of range	<ul style="list-style-type: none"> Move the streaming source device closer or remove any obstructions between the device and the streaming source device

8. Maintenance

8.1. Safety Instructions for Maintenance



DANGER
Electric shock caused by dangerous voltage inside

Disconnect power supply before servicing or cleaning.

8.2. Preventive Maintenance



Attention
Before use, examine the device visually for any defects.

Make sure that:

- The housing is not damaged.
- The power cable is not damaged and does not show any material fatigue.

8.2.1. Basic Cleaning Instructions

To clean the device, follow the steps below:

- 01) Disconnect the device from the electrical power supply.
- 02) Allow the device to cool down for at least 5 minutes.
- 03) Clean the device with a soft, lint-free cloth.



Attention

- Do not immerse the device in liquid.
- Do not use alcohol or solvents.

8.3. Corrective Maintenance

The device does not contain user-serviceable parts. Do not open the device and do not modify the device.

Refer repairs and servicing to instructed or skilled persons. Contact your Highlite International dealer for more information.

9. Deinstallation, Transportation and Storage



Attention
Heavy object

This device is heavy. When handling, use a two-person lift.

- Use the original packaging to transport the device, if possible.
- Clean the device before storing (see [8.2.1. Basic Cleaning Instructions](#) on page 31).
- Store the device in the original packaging, if possible.

Note:

There is a transport cover available for the subwoofer and a carrying bag for 2 column speakers (see [3.8. Optional Accessories](#) on page 17).

Contact your Highlite International dealer for more information.

10. Disposal

Correct disposal of this product



Waste Electrical and Electronic Equipment

This symbol on the product, its packaging or documents indicates that the product shall not be treated as household waste. Dispose of this product by handing it to the respective collection point for recycling of electrical and electronic equipment. This is to avoid environmental damage or personal injury due to uncontrolled waste disposal. For more detailed information about recycling of this product contact the local authorities or the authorized dealer.

11. Approval



Hereby, Highlite International declares that the device FRIGGA, product code D3880, is in compliance with Directive 2014/53/EU (RED – Radio Equipment Directive).

The full text of the EU declaration of conformity is available on the respective product page on the website of Highlite International (www.highlite.com).

DAP